

ARMSTRONG - STEAM & ENGINEERING

FROM CONCEPT TO CONCLUSION

PRODUCT DATA SHEET

PRODUCT # SEP-VB-21

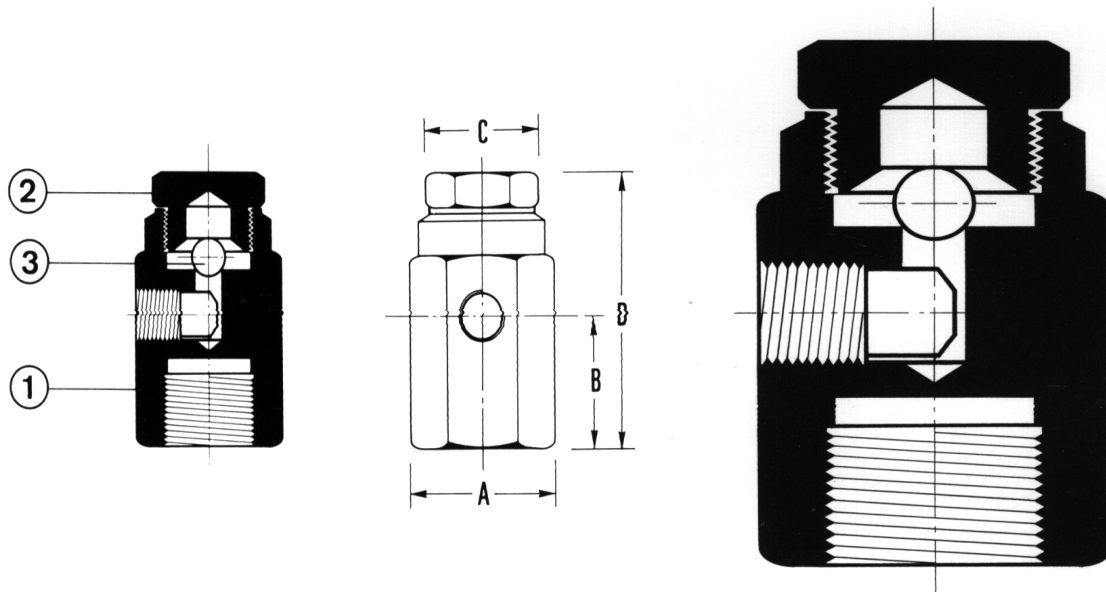
ISSUED 7/2000

DESCRIPTION

FULL STAINLESS STEEL VACUUM BREAKER FOR STEAM OR LIQUID SYSTEMS
SIMPLE AND RELIABLE DEVICE TO RELIEVE AN UNWANTED VACUUM CONDITION
MUST BE INSTALLED VERTICALLY

COLD WORKING PRESSURE : 2100 KPA
SATURATED STEAM PRESSURE : 2100 KPA

MAX TEMPERATURE :
250 DEG C



SIZE	A	B	C	D	CV	KG	PART NAME	MATERIAL	OPTIONAL
							BODY	S/S	
15	32	26	26	52		.17	COVER	S/S	
							VALVE	S/S	

ALL DIMENSIONS ARE IN MM AND ARE APPROXIMATE ONLY IF CRITICAL PLEASE CONFIRM