

ARMSTRONG - STEAM & ENGINEERING

FROM CONCEPT TO CONCLUSION

PRODUCT DATA SHEET

PRODUCT # SEP-TH13A

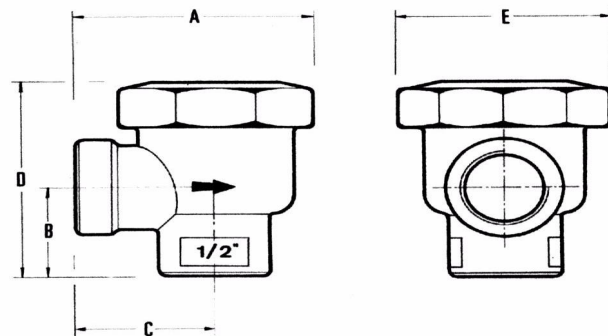
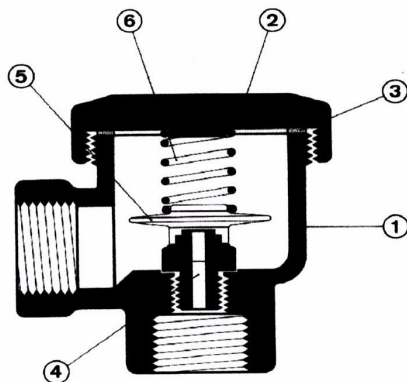
ISSUED 7/2000

DESCRIPTION

THERMOSTATIC STEAM TRAP / AIR VENT
 MODULATING DISCHARGE, DIFFERENT ELEMENTS FOR SUB-COOLING
 BETWEEN 0 DEG C AND 30 DEG C
 FOT STERILISER APPLICATIONS WE RECOMMEND 0.1 DEG SUB-COOL ELEMENT

COLD WORKING PRESSURE : 1600 KPA
SATURATED STEAM PRESSURE : 1300 KPA

MAX TEMPERATURE :
 260 DEG C



| SIZE | A | B | C | D | E | KG | PART NAME | MATERIAL | OPTIONAL |
|------|----|----|----|----|----|-----|-----------|-----------|----------|
| 15 | 64 | 28 | 38 | 60 | 55 | 0.5 | BODY | BRASS | |
| | | | | | | | COVER | BRASS | |
| | | | | | | | GASKET | GRAPHITE | |
| | | | | | | | SEAT | STAINLESS | |
| | | | | | | | ELEMENT | STAINLESS | |
| | | | | | | | SPRING | STAINLESS | |

| DIFFERENTIAL PRESSURE (BAR) | | | | | | | | | | | | | |
|-----------------------------|-----|-----|-----|----|-----|-----|-----|-----|-----|-----|-----|-----|--|
| 1/2" TH-13 | 0.2 | 0.3 | 0.5 | 1 | 1.5 | 2 | 3 | 4 | 6 | 8 | 10 | 13 | |
| KG / HOUR | 45 | 55 | 70 | 95 | 125 | 135 | 180 | 200 | 270 | 315 | 330 | 360 | |

ALL DIMENSIONS ARE IN MM AND ARE APPROXIMATE ONLY IF CRITICAL PLEASE CONFIRM