

ARMSTRONG - STEAM & ENGINEERING

FROM CONCEPT TO CONCLUSION

PRODUCT DATA SHEET

PRODUCT # SEP-SUS

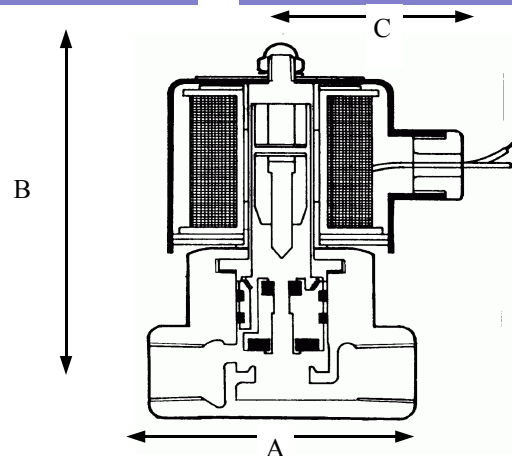
ISSUED 2/99

DESCRIPTION

STAINLESS STEEL SOLENOID VALVE. SCREWED ENDS.
 ROBUST CONSTRUCTION, SUITABLE FOR STEAM OR COROSIVE FLUID.
 MUST BE INSTALLED IN HORIZONTAL POSITION.
 AVAILABLE IN 240, 110 & 24 VAC.

COLD WORKING PRESSURE : 50 - 1500 KPA
SATURATED STEAM PRESSURE : 1035 KPA

MAX TEMPERATURE :
 185 DEG C



6, 8, 10MM CONSTRUCTION VARIES

SIZE	A	B	C	CV	KG	PART NAME	MATERIAL	OPTIONAL
6	35	67	21	0.23	0.4	BODY	SUS 304	SUS 316
8	35	67	21	0.23	0.4	BONNET	SUS 304	SUS 316
10	38	80	48	0.60	0.6	COIL	COPPER	
15	83	157	58	8.6	2.6	PISTON	SUS 316	
20	83	157	58	9.6	2.8	MAIN VALVE	PTFE	
25	92	184	58	12.0	3.2	NEEDLE	410 S/S	
						BODY BOLTS	304	316

NOT SUITABLE FOR FLUIDS WITH VISCOSITY ABOVE 20 CST

ALL DIMENSIONS ARE IN MM AND ARE APPROXIMATE ONLY IF CRITICAL PLEASE CONFIRM