

# ARMSTRONG - STEAM & ENGINEERING

## FROM CONCEPT TO CONCLUSION

### PRODUCT DATA SHEET

PRODUCT # SEP-SCK

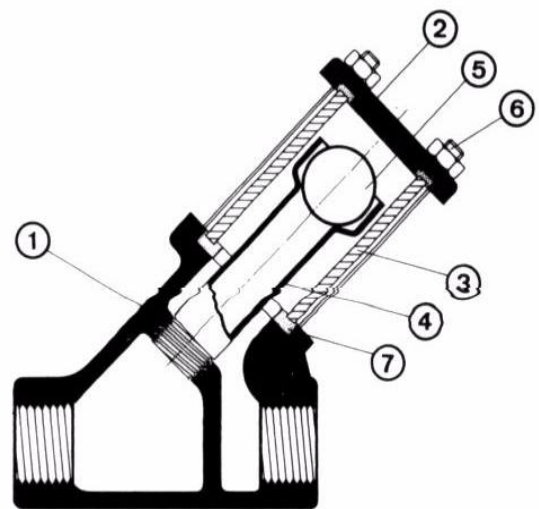
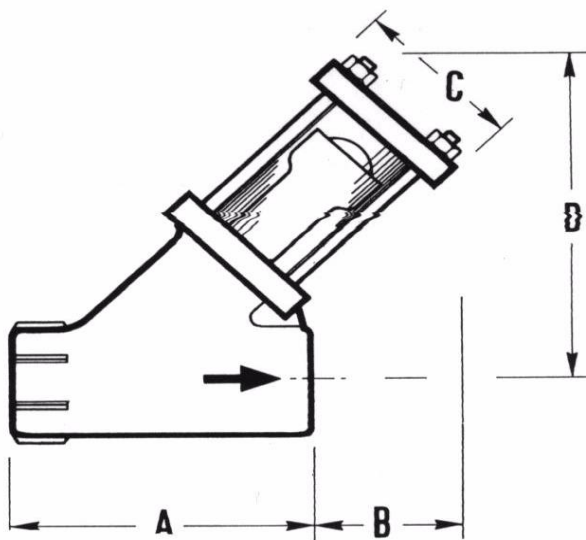
ISSUED 7/2000

#### DESCRIPTION

COMBINATION SIGHT GLASS AND CHECK VALVE.  
USED FOR VISUAL CHECKING ON CONDITION OF STEAM TRAPS.

**COLD WORKING PRESSURE :** 1000 KPA  
**SATURATED STEAM PRESSURE :** 1000 KPA

**MAX TEMPERATURE :**  
150 DEG C



| SIZE | A  | B  | C  | D   | KG  | PART NAME      | MATERIAL        |
|------|----|----|----|-----|-----|----------------|-----------------|
|      |    |    |    |     |     | BODY           | BRONZE          |
| 15   | 80 | 36 | 45 | 95  | 0.9 | COVER          | BRONZE          |
| 20   | 80 | 36 | 45 | 95  | 0.9 | SIGHT TUBE     | TEMPERED GLASS  |
| 25   | 90 | 40 | 56 | 110 | 1.3 | DISCHARGE TUBE | COPPER          |
|      |    |    |    |     |     | BALL CHECK     | STAINLESS STEEL |
|      |    |    |    |     |     | STUD BOLTS     | STEEL PLATED    |
|      |    |    |    |     |     | GASKET         | NBR             |

ALL DIMENSIONS ARE IN MM AND ARE APPROXIMATE ONLY IF CRITICAL PLEASE CONFIRM