

ARMSTRONG - STEAM & ENGINEERING

FROM CONCEPT TO CONCLUSION

PRODUCT DATA SHEET

PRODUCT # SEP-8141 (L-PORT) SEP-8142 (T-PORT)

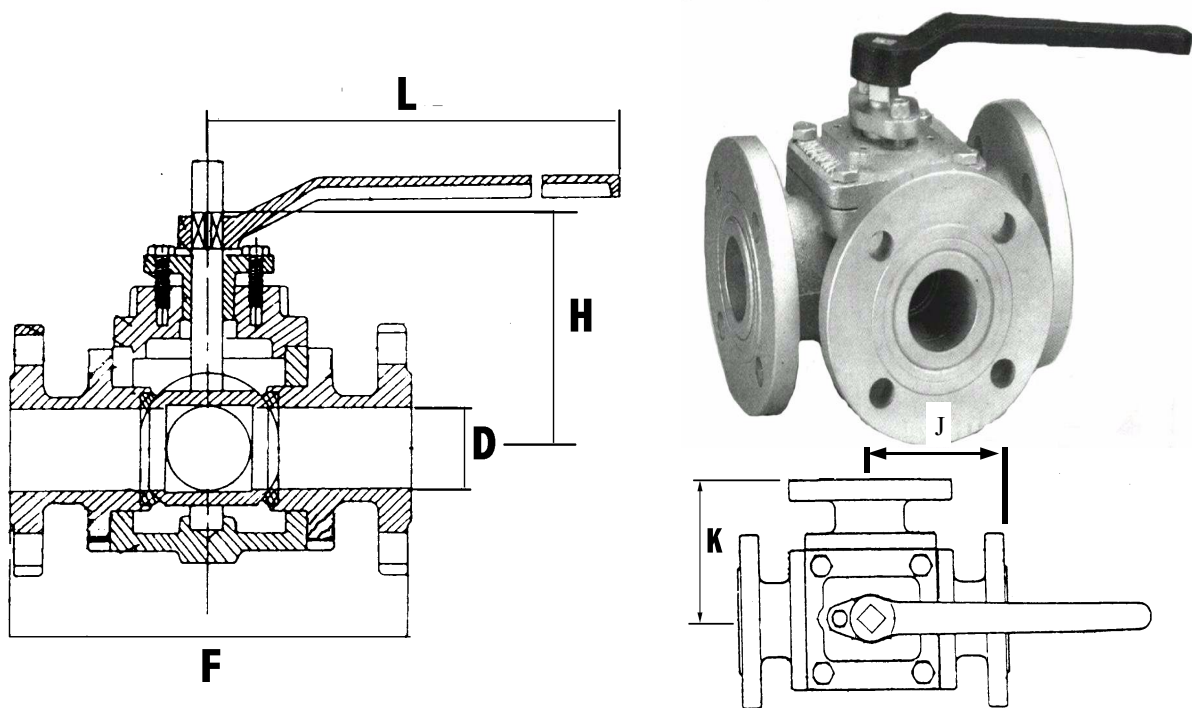
ISSUED 3/99

DESCRIPTION

CAST IRON or CAST STAINLESS STEEL THREE WAY BALL VALVE
 FLANGED ANSI 150 RF (125 FF in IRON)
 FULL BORE, SIMPLE TO ACTUATE

COLD WORKING PRESSURE : 1965 KPA
 SATURATED STEAM PRESSURE : REFER SEP

MAX TEMPERATURE :
 180 DEG C.



SIZE	F	K	J	D	H	PART NAME	MATERIAL	OPTIONAL
						BODY	FC-20	CF8 / CF8M
50	220	110	110	50	116	BONNET	FC-20	CF8 / CF8M
80	262	132	132	80	157	BALL	304	316
100	333	175	175	100	167	SEATS	RTFE	RTFE
						PACKING	PTFE	PTFE

ALL DIMENSIONS ARE IN MM AND ARE APPROXIMATE ONLY IF CRITICAL PLEASE CONFIRM