

ARMSTRONG - STEAM & ENGINEERING

FROM CONCEPT TO CONCLUSION

PRODUCT DATA SHEET

PRODUCT # SEP-5000

ISSUED 1/99

DESCRIPTION

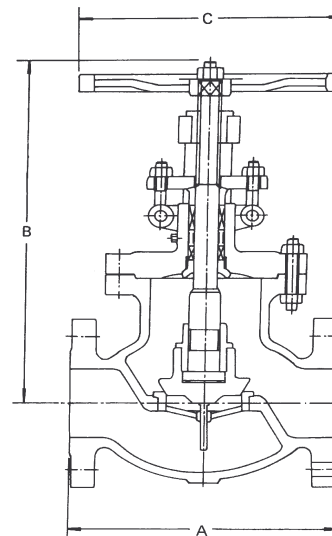
150# CAST STEEL GLOBE VALVE. BOLTED BONNET.
OUTSIDE SCREW & YOKE.
STAINLESS STEEL TRIM WITH STELLITE FACED SEAT.

COLD WORKING PRESSURE : 1965 KPA

SATURATED STEAM PRESSURE : 1035 KPA

MAX TEMPERATURE :

425 DEG C.



SIZE	A	B	C	KG	PART NAME	MATERIAL	OPTIONAL
50	203	362	203	24	BODY	A216 - WCB	316 SS
65	216	400	216	33	BONNET	A216 - WCB	316 SS
80	241	419	241	44	DISC	410 SS	
100	292	488	292	62	SEAT	410 SS HF	
150	406	533	355	110	STEM	410 SS	
200	495	603	394	210	PACKING	GRAFITE	PTFE

ALL DIMENSIONS ARE IN MM AND ARE APPROXIMATE ONLY IF CRITICAL PLEASE CONFIRM