

ARMSTRONG - STEAM & ENGINEERING

FROM CONCEPT TO CONCLUSION

PRODUCT DATA SHEET

PRODUCT # SEP-5000-300

ISSUED 1/99

DESCRIPTION

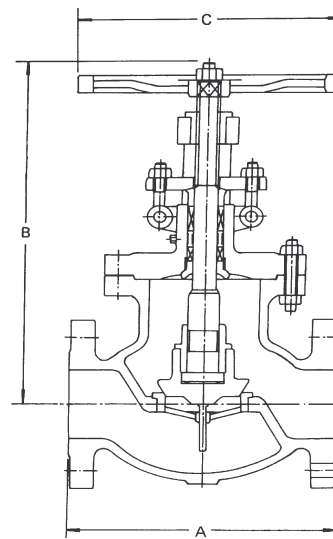
300# CAST STEEL GLOBE VALVE. BOLTED BONNET.
OUTSIDE SCREW & YOKE.
STAINLESS STEEL TRIM WITH STELLITE FACED SEAT.

COLD WORKING PRESSURE : 5500 KPA

SATURATED STEAM PRESSURE : 2000 KPA

MAX TEMPERATURE :

425 DEG C.



SIZE	A	B	C	KG	PART NAME	MATERIAL	OPTIONAL
50	267	432	216	38	BODY	A216 - WCB	316 SS
65	292	451	241	49	BONNET	A216 - WCB	316 SS
80	318	483	292	56	DISC	410 SS	
100	356	565	356	80	SEAT	410 SS HF	
150	445	724	432	190	STEM	410 SS	
200	559	851	483	370	PACKING	GRAFITE	PTFE

ALL DIMENSIONS ARE IN MM AND ARE APPROXIMATE ONLY IF CRITICAL PLEASE CONFIRM