

This document is located at
www.armstrongsteam.com.au/sds/45.pdf

PRODUCT DATA SHEET

PRODUCT # SEP-45 LEVER / SEP 45T "T" HANDLE

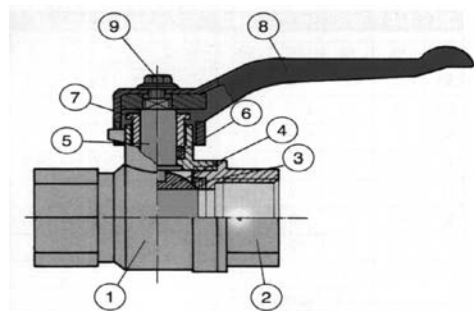
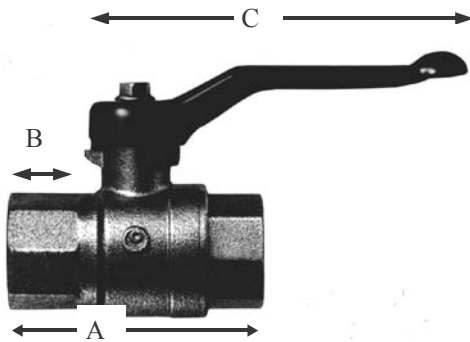
ISSUED 7/97

DESCRIPTION

BRASS BALL VALVE. FULL BORE. INDEPENDENTLY ADJUSTABLE GLAND.
AVAILABLE WITH EITHER BSPT or NPT ENDS
HEAVY DUTY PRESSED STEEL HANDLE. BLOW OUT PROOF STEM.
SUITABLE FOR WATER, OIL GAS OR LOW PRESSURE STEAM / CONDENSATE.

COLD WORKING PRESSURE : 4000 KPA
SATURATED STEAM PRESSURE : 800 KPA

MAX TEMPERATURE :
150 DEG C.



SIZE	A	B	C	*E	CV	KG	PART #	PART NAME	MATERIAL
8	45	32	80	52	14	0.1	1	BODY	OT58 BRASS
10	45	32	80	52	18	0.1	2	END CAP	OT58 BRASS
15	63	42	92	62	33	0.3	3	SEAT	PTFE
20	71	45	92	62	53	0.4	4	BALL	OT58 C.P. BRASS
25	83	54	115	72	82	0.6	5	STEM	OT58 BRASS
32	92	59	115		146	0.8	6	THRUST WASHER	PTFE
40	104	70	150		210	1.3	7	PACKING NUT	OT58 BRASS
50	124	78	150		310	2.0	8	LEVER	STEEL - PAINTED
65	141	109	260		398	3.0	9	SCREW	STEEL - ZINC PLATED
80	159	118	260		620	3.8			
100	195	130	260		947	6.3			

*E = C BUT WITH 'T' HANDLE FITTED

ALL DIMENSIONS ARE IN MM AND ARE APPROXIMATE ONLY IF CRITICAL PLEASE CONFIRM