

# ARMSTRONG - STEAM & ENGINEERING

## FROM CONCEPT TO CONCLUSION

### PRODUCT DATA SHEET

PRODUCT # SEP-300D

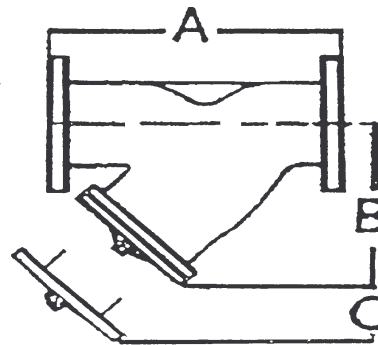
ISSUED 2/99

#### DESCRIPTION

CAST IRON 'Y' TYPE STRAINER. CAN BE SUPPLIED NYLON (FBE) COATED.  
 304 STAINLESS STEEL PERFORATED SCREEN.  
 BOLTED COVER WITH PROVISION FOR BLOWDOWN.  
 SPECIAL SCREENS ARE AVAILABLE TO 37 MICRON.

**COLD WORKING PRESSURE :** 1400 KPA  
**SATURATED STEAM PRESSURE :** NOT RECCOMENDED

**MAX TEMPERATURE :**  
 120 DEG.C.



withdrawal  
distance

SIZE	A	B	C	CV	KG	PART NAME	MATERIAL	OPTIONAL
350	946	673			390	BODY	CAST IRON	
400	1076	752			627	COVER	CAST IRON	
450	1170	935			1032	PLUG	MAL IRON	
500	1384	1030			1140	SCREEN	304	316
600	1416	1120			1825	BOLT	STEEL	

ALL DIMENSIONS ARE IN MM AND ARE APPROXIMATE ONLY IF CRITICAL PLEASE CONFIRM