

ARMSTRONG - STEAM & ENGINEERING

FROM CONCEPT TO CONCLUSION

PRODUCT DATA SHEET

PRODUCT # SEP-2017

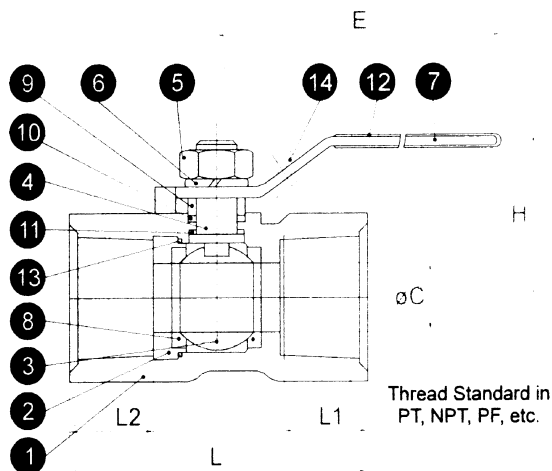
ISSUED 1/98

DESCRIPTION

ONE PIECE REDUCED BORE BALL VALVE.
316 STAINLESS STEEL BODY.

COLD WORKING PRESSURE : 5500 KPA
SATURATED STEAM PRESSURE : NOT SUITABLE

MAX TEMPERATURE :
185 DEG C.



SIZE	CØ	E	H	L	L1	L2	CV	KG	PART #	PART NAME	MATERIAL
8	5.0	64	35	39	11.0	7.0		0.07	1	BODY	316 S/S
10	7.0	70	37	44	11.0	8.0		0.10	2	CAP	316 S/S
15	9.2	90	44	57	16.0	14.0		0.16	3	BALL	316 S/S
20	12.5	90	47	58	16.0	14.0		0.25	4	STEM	316 S/S
25	15.0	103	50	71	17.4	17.0		0.43	5	STEM NUT	304 S/S
32	20.0	103	57	78	19.0	17.0		0.70	6	STEM WASHER	304 S/S
40	25.0	127	69	83	19.1	17.0		0.83	7	LEVER	304 S/S
50	32.0	127	75	100	22.5	19.7		1.50	8	SEAT	PTFE

ALL DIMENSIONS ARE IN MM AND ARE APPROXIMATE ONLY IF CRITICAL PLEASE CONFIRM