

ARMSTRONG - STEAM & ENGINEERING

FROM CONCEPT TO CONCLUSION

PRODUCT DATA SHEET

PRODUCT # ASE-1068 SEALED CAP ASE-1069 WITH LEVER

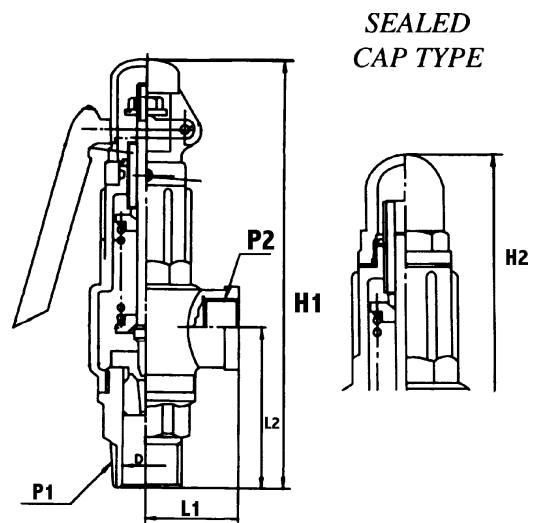
ISSUED 7/2000

DESCRIPTION

BRONZE BODY RELIEF VALVES. BRASS TRIM. ASE-1068 WITH SEALED CAP FOR LIQUID SERVICE. ASE-1069 WITH LEVER FOR GASES OR LOW PRESSURE STEAM WHERE MANUAL BLOWDOWN IS REQUIRED. THIS RANGE OF VALVES INCORPORATE SOME DESIGN FEATURES OF MORE EXPENSIVE VALVES

COLD WORKING PRESSURE : 1000 KPA
SATURATED STEAM PRESSURE : 400 KPA

MAX TEMPERATURE :
 185 DEG C



SIZE	P1	D	P2	LIFT	L1	L2	H1	H2	KG	PART NAME	MATERIAL
	BSP		BSP							BODY	BRONZE B584
15	1/2	13	1/2	0.52	32	52	162	140	0.5	SEAT	BRASS B124
20	3/4	19	3/4	0.76	36	58	172	150	0.7	SPINDLE	BRASS B16
25	1	25	1	1.00	40	71	204	185	1.2	RETAINER	BRASS B16
32	1-1/4	32	1-1/4	1.28	52	83	223	208	2.0	DISC	BRASS B124
40	1-1/2	38	1-1/2	1.52	58	96	252	236	2.5	CAP	BRONZE B584
50	2	50	2	2.00	65	103	287	265	3.7	SPRING	Z.P. STEEL

ALL DIMENSIONS ARE IN MM AND ARE APPROXIMATE ONLY IF CRITICAL PLEASE CONFIRM