

ARMSTRONG - STEAM & ENGINEERING

FROM CONCEPT TO CONCLUSION

PRODUCT DATA SHEET

PRODUCT # SEP-065

ISSUED 12/99

DESCRIPTION

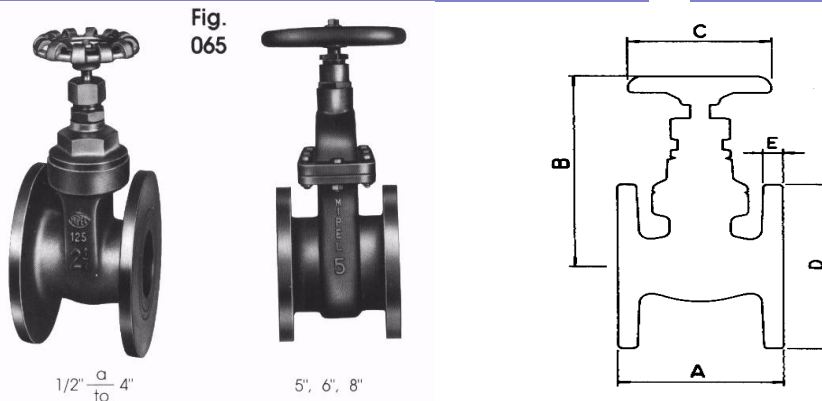
BRONZE FLANGED GATE VALVE, ANSI 150 UNDRILLED.
 NON RISING SPINDLE, SCREWED BONNET TO 4", BOLTED BONNET 5" AND ABOVE.
 INTEGRAL SEAT, BRASS SPINDLE
 THIS VALVE IS NOT TO AS-1628

COLD WORKING PRESSURE : 1400 KPA

MAX TEMPERATURE :

SATURATED STEAM PRESSURE : 900 KPA

260 DEG C



SIZE	A	B	C	D	E	KG	PART NAME	MATERIAL
15	70	100	60	89	8	1.4		
20	75	100	60	98	9	1.7		
25	80	125	70	108	10	2.4	BODY	BRONZE
32	90	135	70	117	11	3.2	BONNET	BRONZE
40	100	150	80	127	11	4.1	SPINDLE	BRASS
50	130	180	90	152	13	6.2	WEDGE	BRONZE
65	150	223	120	178	15	10.3	PACKING	PTFE
80	170	245	120	191	16	13.9	HANDWHEEL	ALUMINIUM
100	190	300	165	229	17	21.5		
125	200	409	230	254	19	37.8		
150	211	479	260	279	21	48.0		

ALL DIMENSIONS ARE IN MM AND ARE APPROXIMATE ONLY IF CRITICAL PLEASE CONFIRM