



Brisbane - Sydney - Melbourne - Perth  
 Phone: 1300 136 486  
 Fax: 1300 136 487  
 Email: sales@armstrongsteam.com.au  
 Web: www.armstrongsteam.com.au

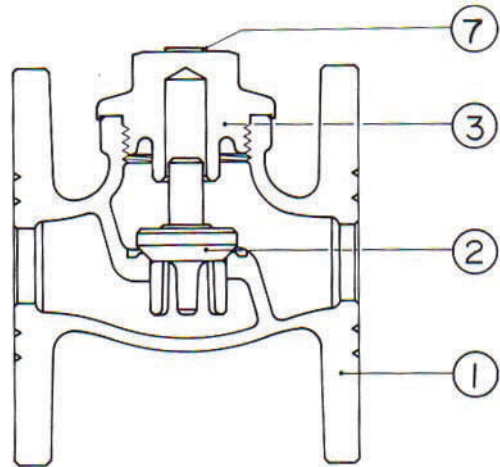
This document is located at

[www.armstrongsteam.com.au/sds/042.pdf](http://www.armstrongsteam.com.au/sds/042.pdf)

<b>Product #</b> ASE - 042	<b>PRODUCT DATA SHEET</b>	<b>Issued:</b> 11-05
----------------------------	---------------------------	----------------------

**DESCRIPTION**  
 BRONZE FLANGED HORIZONTAL LIFT CHECK, SCREWED CAP.  
 INTEGRAL BRONZE SEAT. GUIDED BOTH TOP & BOTTOM.  
 LIMITED SIZES KEPT IN STOCK

<b>COLD WORKING PRESSURE :</b>	<b>1000 KPA</b>	<b>MAX TEMPERATURE :</b>
<b>SATURATED STEAM PRESSURE :</b>	<b>2000 KPA</b>	<b>180 DEG C</b>



SIZE	A	B	KG	#	NAME	MATERIAL
15	76	48	1.3			
20	86	52	1.7	1	BODY	BRONZE
25	100	58	2.3	2	DISC	BRONZE
32	110	67	3.0	3	CAP	BRONZE
40	120	75	3.9	7	NAME PLATE	ALUMINIUM
50	130	86	6.3			
65	165	102	9.8			
80	185	117	13.1			
100	200	156	27.5			

**ALL DIMENSIONS ARE IN MM AND ARE APPROXIMATE ONLY. IF CRITICAL PLEASE CONFIRM**