

ARMSTRONG - STEAM & ENGINEERING

FROM CONCEPT TO CONCLUSION

PRODUCT DATA SHEET

PRODUCT # SEP - 038

ISSUED 11/98

DESCRIPTION

BRONZE RELIEF VALVE - SPRING LOADED.
SEALED CAP, SUITABLE FOR LIQUID OR OTHER SERVICE.
PTFE REPLACEABLE DISC FOR TIGHT SEAL.

COLD WORKING PRESSURE : 70- 1035 KPA

SATURATED STEAM PRESSURE : 70- 1035 KPA

MAX TEMPERATURE :

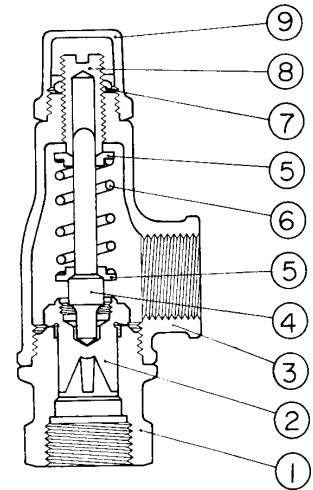
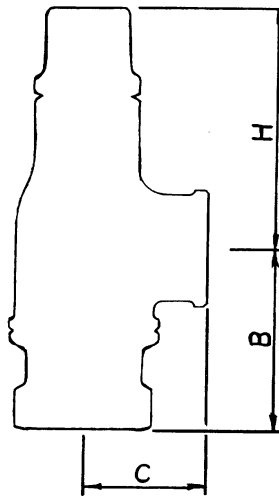
185 DEG C.



1/2" - $\frac{a}{10}$ 2"



2 1/2", 3"



SIZE	C	B	H	KG	PART NAME	MATERIAL
15	30	47	73	0.5		
20	36	57	76	0.7	BODY	BRONZE
25	40	71	82	1.0	DISC	PTFE
32	54	79	104	1.6	SEAT	BRONZE
40	60	85	109	2.2	SPRING	STEEL
50	70	102	133	3.4	CAP	BRONZE
65	78	78	195	7.1	SPINDLE	BRASS
80	92	92	205	9.2		

IONS ARE IN MM AND ARE APPROXIMATE ONLY IF CRITICAL PLEASE CONFIRM