

ARMSTRONG - STEAM & ENGINEERING

FROM CONCEPT TO CONCLUSION

PRODUCT DATA SHEET

PRODUCT # SEP-013

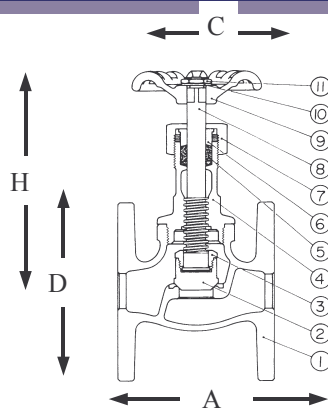
ISSUED 1/02

DESCRIPTION

BRONZE FLANGED GLOBE VALVE.
SCREWED BONNET (EXCEPT 100MM BOLTED)
INTEGRAL SEAT

COLD WORKING PRESSURE : 1500 KPA
SATURATED STEAM PRESSURE : 1035 KPA

MAX TEMPERATURE :
185 DEG C.



SIZE	A	C	D	H	CV	KG	PART #	PART NAME	MATERIAL
15	76	65	89	116		1.4	1	BODY	BRONZE
20	86	70	99	136		1.9	2	DISC	BRONZE
25	100	80	108	154		2.6	3	DISC NUT	BRASS
32	110	90	118	173		3.6	4	BONNET	BRONZE
40	126	100	127	182		4.5	5	PACKING	PTFE
50	154	120	152	218		7.3	6	GLAND	BRASS
65	176	140	178	234		11.2	7	PACKING NUT	BRONZE
80	194	165	191	270		15.5	8	STEM	BRASS
100	280	200	229	350		31.2	9	HANDWHEEL	ALUMINIUM

ALL DIMENSIONS ARE IN MM AND ARE APPROXIMATE ONLY IF CRITICAL PLEASE CONFIRM