

ARMSTRONG - STEAM & ENGINEERING

FROM CONCEPT TO CONCLUSION

PRODUCT DATA SHEET

PRODUCT # ASE-012

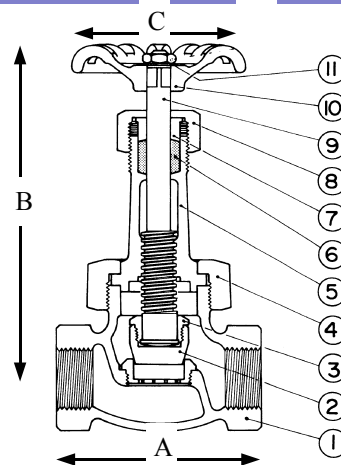
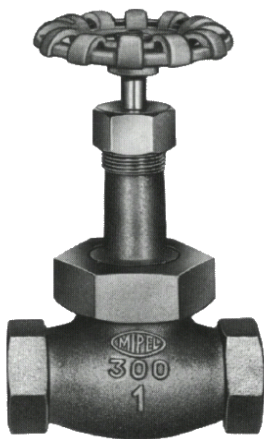
ISSUED 11-00

DESCRIPTION

BRONZE UNION BONNET GLOBE VALVE. REPLACEABLE STAINLESS STEEL TRIM.
INSIDE SCREW. ENDS SCREWED BSP.
ROBUST CONSTRUCTION FOR CONTROL OF STEAM, WATER OIL OR GASES.
CAN BE CONVERTED TO SCREW DOWN NON-RETURN (SDNR)

COLD WORKING PRESSURE : 4200 KPA
SATURATED STEAM PRESSURE : 2100 KPA

MAX TEMPERATURE :
260 DEG C.



SIZE	A	B	C	CV	KG	PART #	PART NAME	MATERIAL
8	58	110	60		0.4	1	BODY	BRONZE B-61
10	64	110	60		0.5	2	DISC	A276 - 410 S/S
15	75	145	65		0.8	3	RETAINING NUT	BRASS B-16
20	90	160	70		1.1	4	BONNET NUT	BRONZE B-61
25	106	180	80		1.8	5	BONNET	BRONZE B-61
32	122	200	90		2.7	6	PACKING	PTFE
40	135	235	100		3.7	7	GLAND	BRASS B-16
50	165	260	120		6.2	8	GLAND NUT	BRASS B-16
						9	STEM	BRASS B-124

ALL DIMENSIONS ARE IN MM AND ARE APPROXIMATE ONLY IF CRITICAL PLEASE CONFIRM