

ARMSTRONG - STEAM & ENGINEERING

FROM CONCEPT TO CONCLUSION

PRODUCT DATA SHEET

PRODUCT # SEP-001

ISSUED 2/99

DESCRIPTION

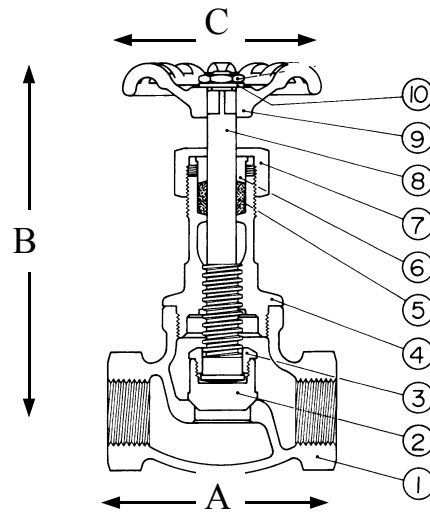
BRONZE GLOBE VALVE. SCREWED BONNET. INTEGRAL BRONZE SEAT.
INSIDE SCREW. RISING SPINDLE. ENDS SCREWED BSP.
SUITABLE FOR STEAM, WATER, OIL & GAS.

COLD WORKING PRESSURE : 2100 KPA

MAX TEMPERATURE :

SATURATED STEAM PRESSURE : 1035 KPA

185 DEG C



SIZE	A	B	C	KG	PART #	NAME	MATERIAL
8	50	68	50	0.2	1	BODY	BRONZE
10	50	68	50	0.3	2	DISC	BRONZE
15	68	118	65	0.6	3	DISC NUT	BRASS
20	80	136	70	0.8	4	BONNET	BRONZE
25	92	154	80	1.3	5	PACKING	PTFE
32	105	173	90	1.8	6	GLAND	BRASS
40	118	182	100	2.3	7	PACKING NUT	BRASS
50	140	218	120	3.8	8	STEM	BRASS
65	166	234	140	5.9	9	HANDWHEEL	ALUMINIUM
80	192	270	165	9.3	10	NUT	STEEL

ALL DIMENSIONS ARE IN MM AND ARE APPROXIMATE ONLY IF CRITICAL PLEASE CONFIRM